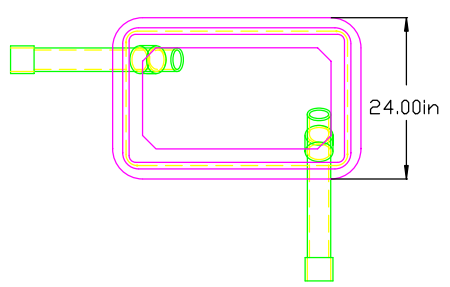
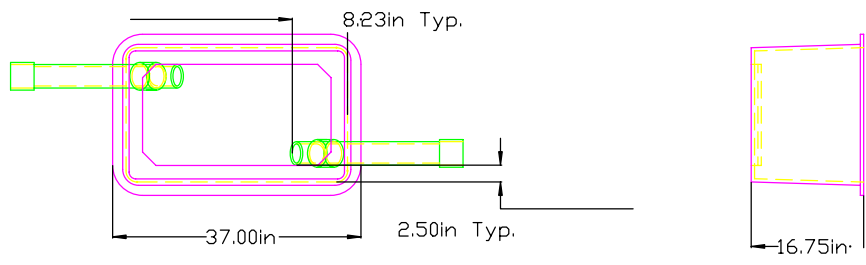
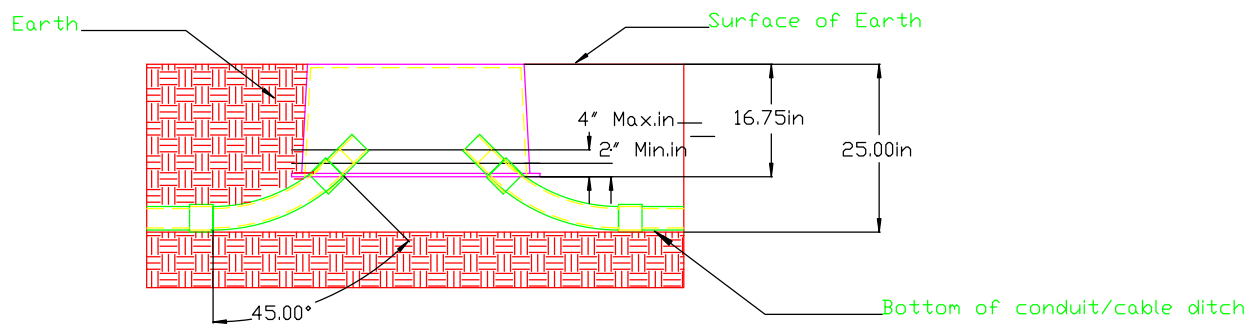


Rev. No.	Date	By	Appd.	Description
0	2/23/01	MED	MEB	Original Drawing.
1	5/31/01	MED	MEB	Updated Title Block
2	x/x/xx	-	-	-



- Notes:
1. Keep conduit between 2 and 4 inches above the bottom of the pedestal.
 2. This drawing is a recommended construction drawing. If this drawing is deviated from and the cable cannot be pulled, it is the responsibility of the customer to resolve the problem so the cable can be pulled through the conduit.
 3. Use Quansite (Now Strongwell) p/n PX1730BA16 with a p/n PX1730CA00-17 cover or equivalent. Contact your local electrical distributor for more information.

CORED
SCALE: NTS
MED

Typical Secondary Pedestal
 Installation Drawing

DATE: 2-23-01
STANDARD NUMBER
507.S01.R01