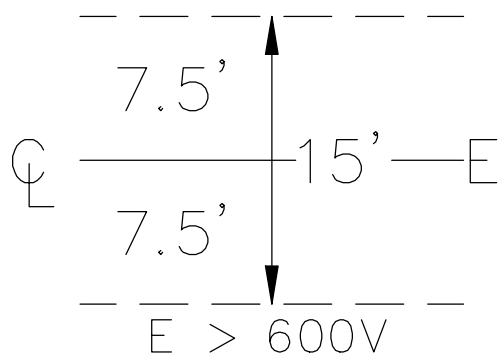
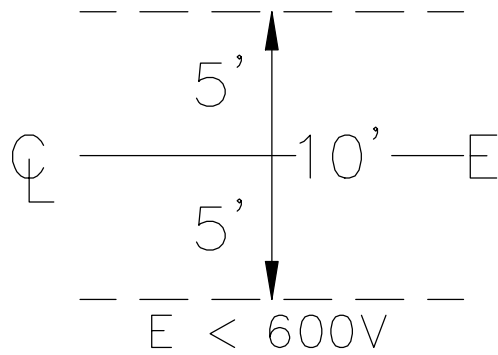
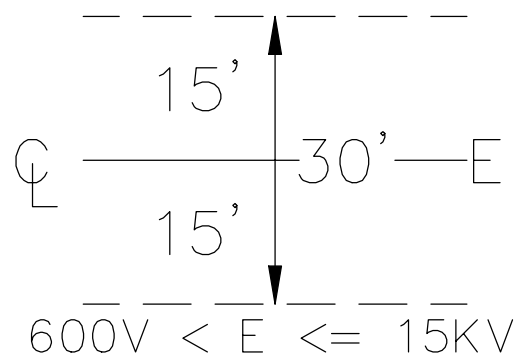
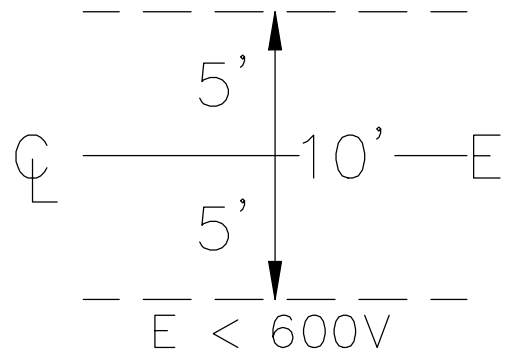


Rev. No.	Date	By	Appd.	Description
0	2/17/00	RWS	MEB	Original Drawing.
1	1/24/01	MED	MEB	Updated drawing border.
2	6/22/01	MED	MEB	Added anchor easement requirements.

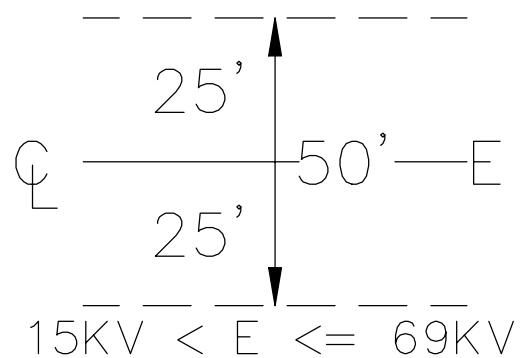
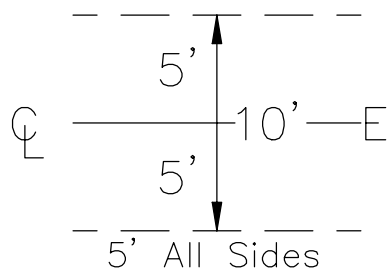
Underground



Overhead



Guy Wires & Anchors



CORED

SCALE: NTS

RWS

Typical Electrical
Easement Widths

(Note: When updating this drawing,
also update SCRD drawing 3.22)

DATE: 2/17/00

STANDARD
NUMBER

475.S01.R02
Easements